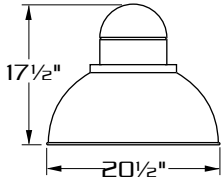
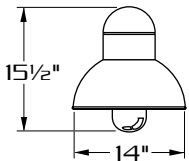


# DSD



**DSD01**  
[175 W. MAX.]



**DSD02**  
[100 W. MAX.]



E.P.A. **DSD01= 0.97**  
**DSD02= 0.59**



WM



1



2-180



2-90



3-90



3-120



4-90

## SPECIFICATIONS

**HOUSING:** HEAVY WALL ALUMINUM CONSTRUCTION WITH REMOVABLE BALLAST TRAY FOR EASY BALLAST ACCESS.

**REFLECTOR:** HEAVY WALL ALUMINUM CONSTRUCTION. INSIDE OF REFLECTOR FINISHED WITH HIGH GLOSS WHITE ENAMEL.

**OPTICS:** CLEAR TEMPERED GLASS DIFFUSER.  
**OPTION:** CLEAR PRISMATIC OR OPAL GLASS DIFFUSER.

**LAMP HOLDER:** MEDIUM BASE PORCELAIN.

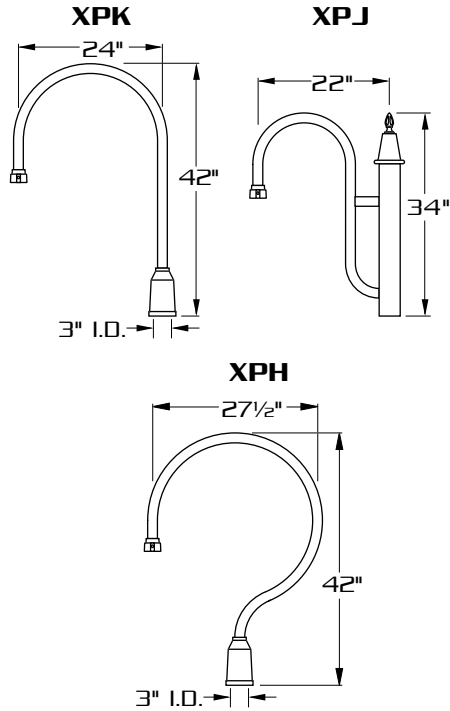
**LAMP:** (BY OTHERS)

**BALLAST:** H.P.F./C.W.A. AUTOTRANSFORMER. -20° STARTING TEMPERATURE. ELECTRICAL COMPONENTS ARE MOUNTED TO A REMOVABLE BALLAST TRAY. BALLAST IS EQUIPPED WITH FACTORY INSTALLED QUICK DISCONNECT PLUG.

**FINISH:** POLYESTER POWDER COAT-STATE OF THE ART 20 PSI PRESSURE POWER WASH AT 140° TEMPERATURE INCORPORATES FOUR STEP IRON PHOSPHATE PROCESS TO CLEANSE AND PRETREAT THE METAL SURFACE FOR MAXIMUM PAINT ADHESION. ELECTROSTATICALLY APPLIED TEXTURED POLYESTER POWDER TOPCOAT IS BAKED AT 400° TEMPERATURE FOR MAXIMUM HARDNESS AND EXTERIOR DURABILITY.



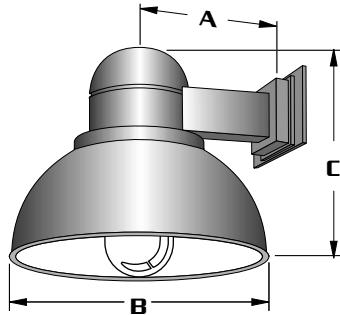
**MOUNTING STYLES**



AVAILABLE FOR MOUNTING 1 ONLY

ARMS ARE HEAVY WALL EXTRUDED ALUMINUM CONSTRUCTION. FOR ADDITIONAL ARM OPTIONS SEE ARM SECTION.

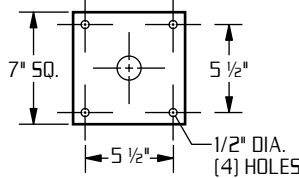
**WALL MOUNT**



LUM.	A	B	C
DSD1	14"	21 1/2"	17 1/2"
DSD2	13"	14"	15 1/2"

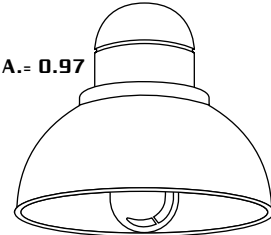
EXTRUDED ALUMINUM ARM AND CAST ALUMINUM WALL BRACKET ASSEMBLY PROVIDED WITH BUILT IN GASKETED WIRE ACCESS FOR FIXTURE/SUPPLY WIRE CONNECTION.

**WALL PLATE**



**LAMP SIZE:  
50 - 175 WATT**

E.P.A.= 0.97



**DSD1**  
[175 W. MAX.]

E.P.A.= 0.59



**DSD2**  
[100 W. MAX.]

**ALL ALUMINUM CONSTRUCTION.  
INTEGRAL, SELF CONTAINED  
BALLAST COMPARTMENT.  
THREE MOUNTING STYLES.**

**ORDERING INFORMATION**

MODEL NO.:	OPTICS	WATTAGE TYPE VOLTAGE	MOUNTING	FINISH	OPTIONS
DSD					
MODEL NO.:	OPTICS	LAMP	MOUNTING	FINISH	OPTIONS
<b>DSD</b>	<p><b>STANDARD:</b></p> <input type="checkbox"/> CLEAR PRISMATIC TEMPERED GLASS CPG	<p>WATTAGE TYPE VOLTAGE</p> <input type="checkbox"/> 175 <input type="checkbox"/> HPS <input type="checkbox"/> 120 <input type="checkbox"/> 150 <input type="checkbox"/> MH <input type="checkbox"/> 208 <input type="checkbox"/> 100 <input type="checkbox"/> MV <input type="checkbox"/> 240 <input type="checkbox"/> 75 <input type="checkbox"/> 277 <input type="checkbox"/> 70 <input type="checkbox"/> 480 <input type="checkbox"/> 50 <input type="checkbox"/> MT	<input type="checkbox"/> XPK <input type="checkbox"/> XPJ <input type="checkbox"/> XPH <input type="checkbox"/> WM ..... ● <input type="checkbox"/> 1 ..... ●	<input type="checkbox"/> DARK BRONZE DBM <input type="checkbox"/> MEDIUM BRONZE MBM <input type="checkbox"/> BLACK BKM <input type="checkbox"/> WHITE WTM <input type="checkbox"/> SILVER SLM	<input type="checkbox"/> 3/8" IPS STEM MOUNT AND SWIVEL CANOPY (4'-0" MAX.) ..... SM <input type="checkbox"/> CHAIN MOUNTED (4'-0" MAX.) ..... CM <input type="checkbox"/> HOUSE SIDE SHIELD 90° ..... HS 90° 135° ..... HS 135° 180° ..... HS 180°
	<p><b>OPTIONS:</b></p> <input type="checkbox"/> OPAL GLASS DIFFUSER WGD [ANNEALED & HEAT RESISTANT] <input type="checkbox"/> CLEAR TEMPERED GLASS LENS CG [DSD1 ONLY]	<p><b>MEDIUM BASE LAMP ONLY</b></p> <p>DSD2- 100 W. MAX.</p>	<p>SEE PAGE 3 FOR ADDITIONAL COLORS</p>	<input type="checkbox"/> ANODIZED AZ ANODIZED HOUSING MUST HAVE PAINT FINISH COAT EXAMPLE: AZDBM	<input type="checkbox"/> PHOTO CELL + VOLTAGE (EXAMPLE: PC120V) ..... PC+V <input type="checkbox"/> SINGLE FUSE (120V., 277V) ..... SF <input type="checkbox"/> DOUBLE FUSE (208V., 240V) ..... DF

