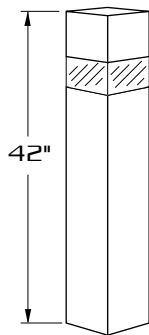
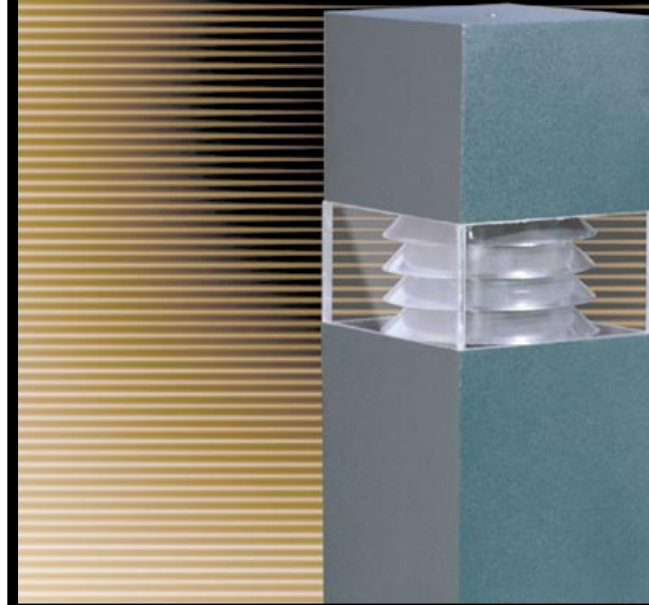


BSA6
[75 WATT MAX.]



BSA8
[100 WATT MAX.]



TWIN REFLECTOR



INTERNAL LOUVER



CAST LOUVER



PRIS. GLASS
REFRACTOR



OPAL DIFFUSER

SPECIFICATIONS

HOUSING: HEAVY WALL EXTRUDED ALUMINUM CONSTRUCTION.

TOP CAP: DURABLE, CORROSION RESISTANT CAST ALUMINUM CONSTRUCTION.

OPTICAL TRAIN: [TR] CLEAR ACRYLIC LENS, 1/4" MINIMUM WALL THICKNESS. LENS SURROUNDS CLEAR ANODIZED TWIN REFLECTOR SYSTEM.

OPTIONS:

[IL] CLEAR ACRYLIC LENS SURROUNDS ANODIZED ALUMINUM LOUVER TRAIN.

[CL] DURABLE, CORROSION RESISTANT CAST ALUMINUM LOUVER SYSTEM PROVIDES 30° CUT-OFF FOR BRIGHTNESS CONTROL. INTERNAL CLEAR GLASS CYLINDER SURROUNDS LAMP.

[PG] CLEAR ACRYLIC LENS SURROUNDS PRISMATIC GLASS REFRACTOR.

[WA] OPAL ACRYLIC LENS.

GASKETING: CLOSED CELL SILICONE.

LAMP HOLDER: MEDIUM BASE PORCELAIN.

LAMP: [BY OTHERS]

BALLAST: H.P.F./C.W.A. AUTOTRANSFORMER, -20° STARTING TEMPERATURE. ELECTRICAL COMPONENTS ARE MOUNTED TO REMOVABLE BALLAST TRAY FOR MAINTENANCE EASE. BALLAST EQUIPPED WITH FACTORY INSTALLED QUICK DISCONNECT PLUG.

BASE PLATE: PRECISE ONE PIECE CAST ALUMINUM CONSTRUCTION. ANCHOR PLATE IS MECHANICALLY FASTENED TO HOUSING.

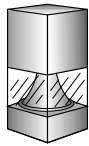
ANCHORAGE: [4] 3/8"X10" FULLY GALVANIZED ANCHOR BOLTS EACH SUPPLIED WITH TWO NUTS AND TWO WASHERS.

FINISH: POLYESTER POWDER COAT-STATE OF THE ART 20 PSI PRESSURE POWER WASH AT 140° TEMPERATURE INCORPORATES FOUR STEP IRON PHOSPHATE PROCESS TO CLEANSE AND PRETREAT THE METAL SURFACE FOR MAXIMUM PAINT ADHESION. ELECTROSTATICALLY APPLIED TEXTURED POLYESTER POWDER TOPCOAT IS BAKED AT 400° TEMPERATURE FOR MAXIMUM HARDNESS AND EXTERIOR DURABILITY.



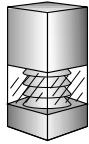
STANDARD:

OPTICS

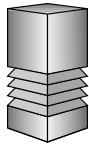


(TR)
TWIN REFLECTOR
SUPPLIED WITH
CLEAR ACRYLIC LENS

OPTIONS:

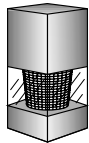


(IL)
INTERNAL LOUVER
SUPPLIED WITH
CLEAR ACRYLIC LENS

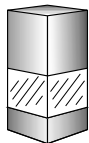


(CL)
CAST LOUVER
H.I.O. UNITS
SUPPLIED WITH
INTERNAL GLASS DIFFUSER

FLUORESCENT UNITS
SUPPLIED WITH INTERNAL
POLYCARBONATE DIFFUSER

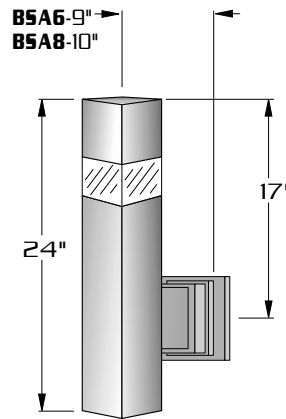


(PG)
PRISMATIC GLASS
SUPPLIED WITH
CLEAR ACRYLIC LENS



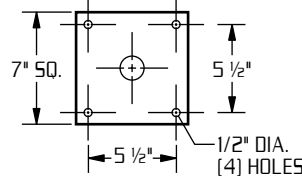
(WA)
OPAL ACRYLIC

**WALL MOUNT
STYLE**

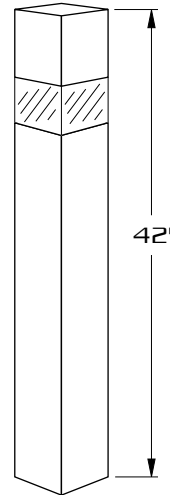


EXTRUDED ALUMINUM ARM AND
CAST ALUMINUM WALL BRACKET
ASSEMBLY PROVIDED WITH BUILT
IN GASKETED WIRE ACCESS FOR
FIXTURE/SUPPLY WIRE CONNECTION.

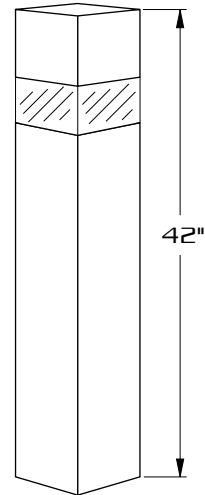
WALL PLATE



**LAMP SIZE:
13 - 100 WATT**



BSA6
[75 W. MAX.]



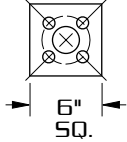
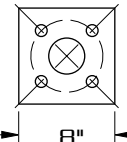
BSA8
[100 W. MAX.]

EXTRUDED ALUMINUM
CONSTRUCTION.

CAST ALUMINUM TOP.

INTEGRAL CAST ALUMINUM
BALLAST HOUSING.

ORDERING INFORMATION

MODEL NO.:	OPTICS	WATTAGE TYPE VOLTAGE	MOUNTING	FINISH	OPTIONS
BSA					
MODEL NO.:	OPTICS	LAMP	MOUNTING	FINISH	OPTIONS
B S A	STANDARD: <input type="checkbox"/> TWIN REFLECTOR TR	WATTAGE TYPE VOLTAGE <input type="checkbox"/> 100* <input type="checkbox"/> HPS <input type="checkbox"/> 120 <input type="checkbox"/> 75 <input type="checkbox"/> MH <input type="checkbox"/> 277 <input type="checkbox"/> 70 <input type="checkbox"/> MV <input type="checkbox"/> MT <input type="checkbox"/> 50 <input type="checkbox"/> PL <input type="checkbox"/> 42 <input type="checkbox"/> INC <input type="checkbox"/> 35 <input type="checkbox"/> 26 <input type="checkbox"/> 18 <input type="checkbox"/> 13	GROUND INSTALLATION 6" SQ. BOLLARD 4" DIA. BOLT CIRCLE  8" SQ. BOLLARD 6" DIA. BOLT CIRCLE  ANCHOR BOLT (4) 3/8" X 10"	<input type="checkbox"/> DARK BRONZE DBM <input type="checkbox"/> MEDIUM BRONZE MBM <input type="checkbox"/> BLACK BKM <input type="checkbox"/> WHITE WTM <input type="checkbox"/> SILVER SLM	<input type="checkbox"/> HOUSE SIDE SHIELD 90° HS 90° 135° HS 135° 180° HS 180° <input type="checkbox"/> DUPLEX RECEPTACLE..... DUP <input type="checkbox"/> GROUND FAULT RECEPTACLE..... GFI <input type="checkbox"/> SINGLE FUSE (120V., 277V)..... SF <input type="checkbox"/> DOUBLE FUSE (208V., 240V)..... DF <input type="checkbox"/> WALL MOUNT..... WM
	OPTIONS: <input type="checkbox"/> INTERNAL LOUVER IL <input type="checkbox"/> CAST ALUMINUM LOUVER CL <input type="checkbox"/> PRISMATIC GLASS TYPE V PG-V <input type="checkbox"/> PRISMATIC GLASS TYPE III PG-III <input type="checkbox"/> OPAL ACRYLIC WA	<p>*AVAILABLE WITH 8" BOLLARD ONLY</p>	<p>SEE PAGE 3 FOR ADDITIONAL COLORS</p>	OPTIONAL HEIGHTS: <input type="checkbox"/> 30" <input type="checkbox"/> 36"	



7900 CLYBOURN AVENUE, SUN VALLEY, CA. 91352
(818) 767-3031 (323) 875-1136

FAX NO. (818) 767-4631

www.usaltg.com