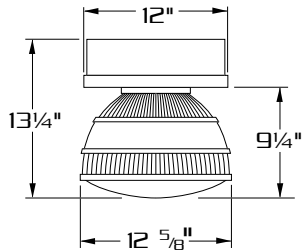


[175 WATT MAX.]

# PSL12S



## SPECIFICATIONS:

**LUMINAIRE:** CORROSION RESISTANT. DURABLE PRECISION CAST ALUMINUM CONSTRUCTION.

**OPTICS:** INJECTION MOLDED, UV STABILIZED ACRYLIC PRISMATIC REFRACTOR PROVIDES WIDE LATERAL DOWN LIGHT DISTRIBUTION ALONG WITH UPLIGHT FOR UNIFORM CEILING ILLUMINATION. PRECISELY POSITIONED SHIELD REDUCES DIRECT GLARE. CLEAR CONVEX ACRYLIC LENS IS MECHANICALLY FASTENED TO REFRACTOR WITH STAINLESS STEEL TRIM RING.

**LAMP HOLDER:** MEDIUM BASE PORCELAIN.

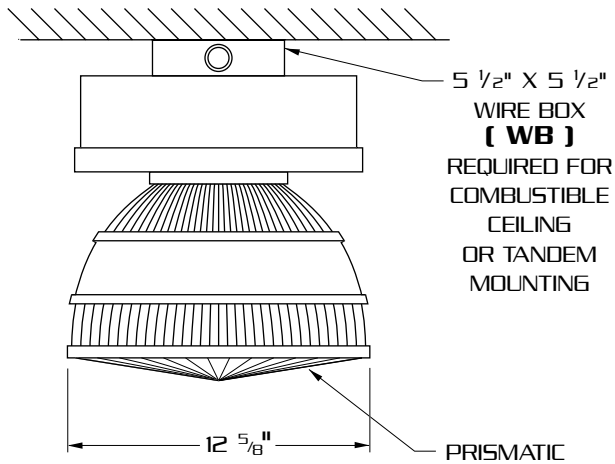
**LAMP:** [BY OTHERS]

**BALLAST:** H.P.F./C.W.A. AUTOTRANSFORMER. -20° STARTING TEMPERATURE. ELECTRICAL COMPONENTS ARE MOUNTED TO A REMOVABLE BALLAST TRAY. BALLAST IS EQUIPPED WITH FACTORY INSTALLED QUICK DISCONNECT PLUG.

**FINISH:** POLYESTER POWDER COAT-STATE OF THE ART 20 PSI PRESSURE POWER WASH AT 140° TEMPERATURE INCORPORATES FOUR STEP IRON PHOSPHATE PROCESS TO CLEANSE AND PRETREAT THE METAL SURFACE FOR MAXIMUM PAINT ADHESION. ELECTROSTATICALLY APPLIED TEXTURED POLYESTER POWDER TOPCOAT IS BAKED AT 400° TEMPERATURE FOR MAXIMUM HARDNESS AND EXTERIOR DURABILITY.



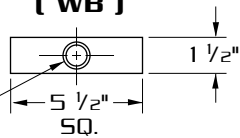
660 WEST AVENUE O, PALMDALE, CA. 93551  
(661) 233-2000  
FAX NO. (661) 233-2001  
[www.usaltg.com](http://www.usaltg.com)



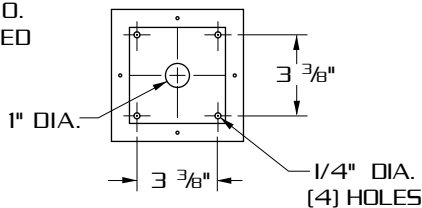
5 1/2" X 5 1/2"  
WIRE BOX  
{ WB }  
REQUIRED FOR  
COMBUSTIBLE  
CEILING  
OR TANDEM  
MOUNTING

PRISMATIC  
ACRYLIC  
CONICAL LENS  
{ V-AC }  
(OPTIONAL)

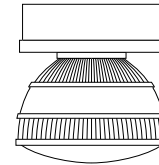
WIRE BOX  
{ WB }



7/8" DIA. K.O.  
AND  
1 1/8" DIA. K.O.  
{ 4 } SUPPLIED



**LAMP SIZE:  
35 - 175 WATT**



**PRECISION CAST ALUMINUM  
HOUSING**

**WIDE LATERAL DOWNLIGHT  
DISTRIBUTION**

**UNIFORM UPLIGHT**

**IMPROVED DRIVER VISIBILITY**

**ORDERING INFORMATION**

MODEL NO.: <b>PSL12S</b>	OPTICS	WATTAGE TYPE VOLTAGE	MOUNTING	FINISH	OPTIONS
-----------------------------	--------	----------------------	----------	--------	---------

MODEL NO.:	OPTICS	LAMP	MOUNTING	FINISH	OPTIONS	
<b>P S L 1 2 S</b>	<p><b>STANDARD:</b></p> <input type="checkbox"/> CLEAR PRISMATIC ACRYLIC REFRACTOR WITH SMOOTH DOME ACRYLIC LENS TYPE V..... <b>V-AD</b>	<p>WATTAGE TYPE VOLTAGE</p> <input type="checkbox"/> 175 <input type="checkbox"/> HPS <input type="checkbox"/> 120 <input type="checkbox"/> 150 <input type="checkbox"/> MH <input type="checkbox"/> 208 <input type="checkbox"/> 100 <input type="checkbox"/> MV <input type="checkbox"/> 240 <input type="checkbox"/> 70 <input type="checkbox"/> 277 <input type="checkbox"/> 50 <input type="checkbox"/> 480 <input type="checkbox"/> 35 <input type="checkbox"/> MT	<input type="checkbox"/> <b>CSM</b> .....	<input type="checkbox"/> DARK BRONZE <b>DBM</b> <input type="checkbox"/> MEDIUM BRONZE <b>MBM</b> <input type="checkbox"/> BLACK <b>BKM</b> <input type="checkbox"/> WHITE <b>WTM</b> <input type="checkbox"/> SILVER <b>SLM</b>	<input type="checkbox"/> 1 1/2"X5 1/2"X5 1/2" WIRE BOX ..... <b>WB</b> <input type="checkbox"/> SINGLE FUSED (120V., 277V) ..... <b>SF</b> <input type="checkbox"/> DOUBLE FUSE (208V., 240V) ..... <b>DF</b> <input type="checkbox"/> QUARTZ RESTRIKE ..... <b>QTZ</b> <input type="checkbox"/> 3/8" IPS STEM MOUNT AND SWIVEL CANOPY (4'-0" MAX.) ..... <b>SM</b> <input type="checkbox"/> OPEN BOTTOM ..... <b>OB</b>	
	<p><b>OPTIONS:</b></p> <input type="checkbox"/> CLEAR PRISMATIC POLYCARBONATE REFRACTOR WITH SMOOTH DOME POLYCARBONATE LENS TYPE V..... <b>V-PD</b>					
	<input type="checkbox"/> CLEAR PRISMATIC ACRYLIC REFRACTOR WITH PRISMATIC ACRYLIC CONICAL LENS TYPE V..... <b>V-AC</b>				<p>SEE PAGE 3 FOR ADDITIONAL COLORS</p>	



660 WEST AVENUE O, PALMDALE, CA. 93551  
(661) 233-2000  
FAX NO. (661) 233-2001  
[www.usaltg.com](http://www.usaltg.com)